

# GPX175

## Multipole Power Connector



### 特征

### FEATURES

#### • 平面接触技术

强电流下接触电阻最小,断开过程中产生的擦拭动作可清洁接触件表面

#### • Flat wiping contact system

Minimal contact resistance at high current, wiping action cleans contact surface during connection/disconnection

#### • 彩色防呆设计

根据颜色确定行业标准推荐的使用电压,避免两个带有不同电压编码颜色的胶壳配插(消除电源与插座误插的可能性)

#### • Mechanical keyed housings

Prevents accidental mating of components operating at different voltage levels

#### • 互换无公母设计

互换性设计,无公母外壳,利于减少库存

#### • Interchangeable genderless design

Makes assembly easy and reduces stock

#### • 防金手指设计

大大降低了生活中电路的潜在风险,依照 IEC60950 标准

#### • Touch safe interface

Minimizes potential contact with live circuits per IEC60950

### PRODUCT SPECIFICATIONS/产品规格

Current Rating (Amperes) 额定电流 (安培)	175A
Voltage Ratings (Volts) 额定电压 (伏特)	600
Contact Barrel Wire Size (AWG/ mm <sup>2</sup> ) 适用线径 (AWG/ mm <sup>2</sup> )	1/0 to 35 mm <sup>2</sup> (53.5mm <sup>2</sup> to 35 mm <sup>2</sup> )
Maximum Wire Insulation Diameter (mm/ inches) 最大绝缘导线直径 (毫米/英寸)	19.1 mm (0.75 inches)
AVG Contact Resistance(micro-ohms) 接触电阻 (微欧)	100
Insulation Withstanding Test Voltage (Volts AC/DC) 绝缘耐电压 (交流/直流)	2200
Contact Retention Force (lbf) 端子保持力 (磅)	300
Life/寿命	
a. No load (Contact/Disconnect Cycles)无负载 (插拔次数)	To 10,000
b. Under Load (Hot Plug 250 cycles @ 120V)负载状态 (120V 电压插拔 250 次)	75 A
Avg. Connection/Disconnect (lbf) 平均插拔力 (磅)	25
Operating Temperature Range °C 工作温度 °F	-20° to 105° -4° to 221°
Flammability Rating of Housing Material 材料防火等级	UL94 V-0

American Technology, Made in China



Shenzhen Grid Power Connectors Co., Ltd

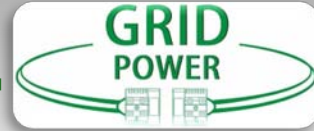
Tel: +86 0755-23208099 23205933 Fax: +86 0755-81496184

Address: Floor 3, Building A, ZhuoLin Industrial Park, The 2nd Industrial Zone, LiaoKeng Village, ShiYan Town, BaoAn District, ShenZhen City, PRC

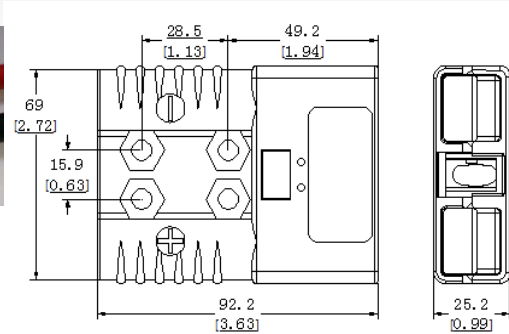
www.gridpower-conn.coms

# GPX175

## Multipole Power Connector

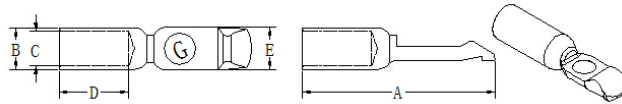


### HOUSING/胶壳



Part Number 料号	Housing Color 胶壳颜色
GPE160-RD	RED 红色
GPE160-GN	GREEN 绿色
GPE160-GY	GRAY 灰色
GPE160-BK	BLACK 黑色
GPE160-BL	BLUE 蓝色

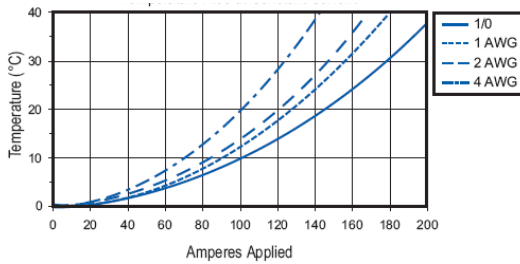
### Primary Power Contacts /接触件



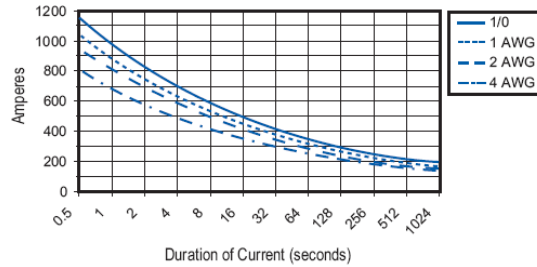
Part Number 料号	Description 描述	Wire Size/线径		- A -		- B -		- C -		- D -		- E -	
		AWG	Sq.mm	mm	In	mm	In	mm	In	mm	In	mm	In
S6384G1	Silver Plated 镀银	1/0	53.5	60.2	2.37	13	0.51	10.8	0.43	21.8	0.86	13.3	0.52
S6384G2	Silver Plated 镀银	N/A	35	60.2	2.37	13	0.51	9.5	0.38	21.8	0.86	13.3	0.52

### TEMPERATURE RISE CHARTS /温升测试

Temperature Rise at Constant Current/温升曲线



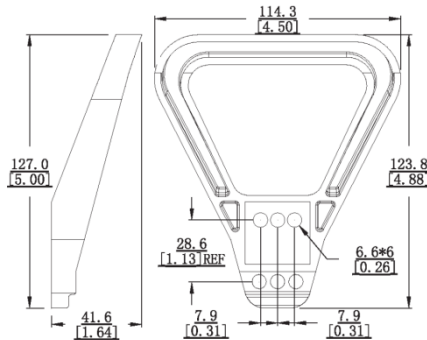
Pulse Current Capability/脉冲电流



### O TYPE HANDLE / O 型拉手



Part Number / 料号	Color / 颜色
G995G1	Gray 灰色
G995G3	Red 红色



American Technology, Made in China

Shenzhen Grid Power Connectors Co., Ltd

Tel: +86 0755-23208099 23205933 Fax: +86 0755-81496184

Address: Floor 3, Building A, ZhuoLin Industrial Park, The 2nd Industrial Zone, LiaoKeng Village, ShiYan Town, BaoAn District, ShenZhen City, PRC  
www.gridpower-conn.com

